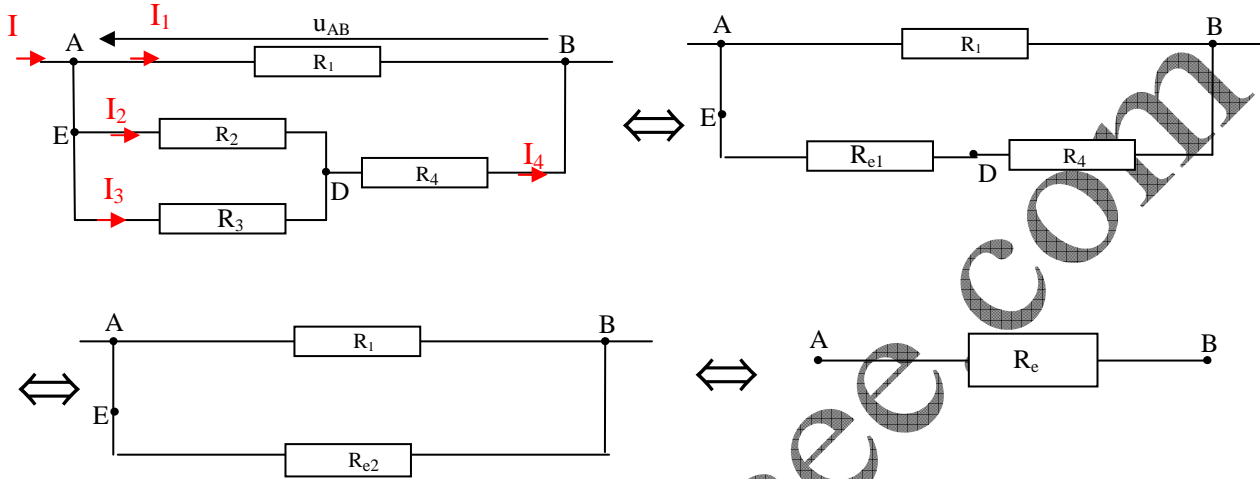


www.pc-lycee.com حل التمرين 09

.1



$$R_{e1} = \frac{R_2 R_3}{R_2 + R_3} = 2,4\Omega$$

$$R_{e2} = R_{e1} + R_4 = 10\Omega$$

$$\frac{1}{R_e} = \frac{1}{R_1} + \frac{1}{R_{e2}} \Rightarrow R_e = \frac{R_1 R_{e2}}{R_1 + R_{e2}}$$

$$\Rightarrow R_e = 5\Omega$$

$$U_{AB} = R_1 I_1 \Rightarrow I_1 = \frac{U_{AB}}{R_1} = \frac{10}{10} = 1A \quad .2$$

$$U_{AB} = R_{e2} I_4 \Rightarrow I_4 = \frac{U_{AB}}{R_{e2}} = \frac{10}{10} = 1A$$

$$U_{AB} = U_{ED} + U_{DB} \Rightarrow U_{ED} = U_{AB} - U_{DB}$$

$$\Rightarrow U_{ED} = U_{AB} - R_4 I_4 = 10 - 7,6 = 2,4V$$

$$I_2 = \frac{U_{ED}}{R_2} = \frac{2,4}{6} = 0,4A$$

$$I_3 = \frac{U_{ED}}{R_3} = \frac{2,4}{4} = 0,6A$$

$$U_{AB} = R_e I \Rightarrow I = \frac{U_{AB}}{R_e} = \frac{10}{1,94} = 5,15A$$